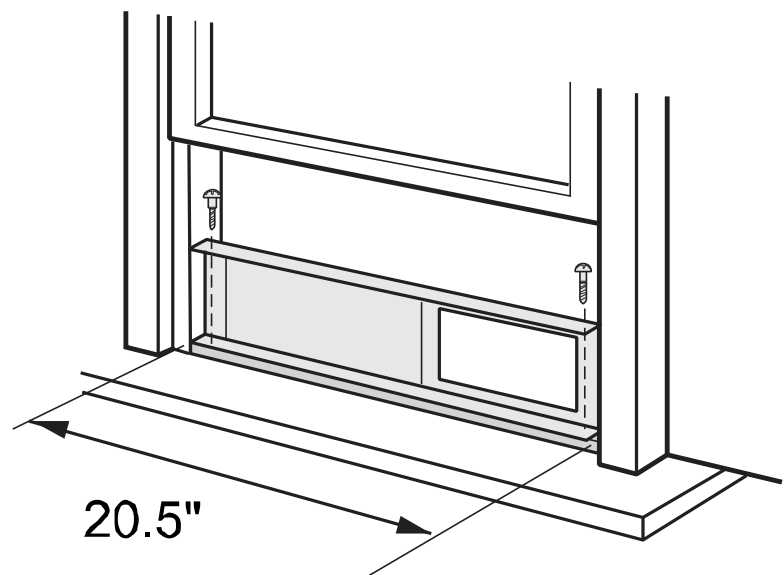
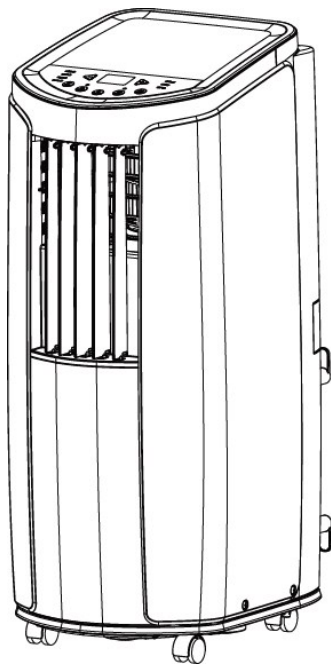




ARTICA MK2

8000Btu

Window Kit Installation Guide

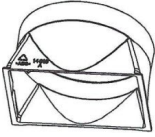


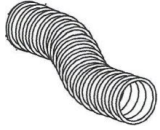


INSTALLATION

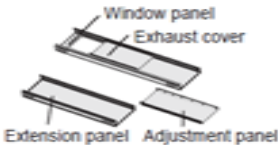
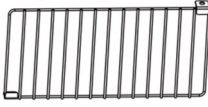

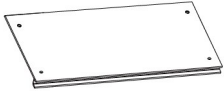

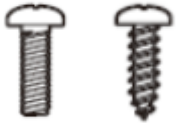

Note: check if the accessories are available before installation.

PACKAGE CONTAINS

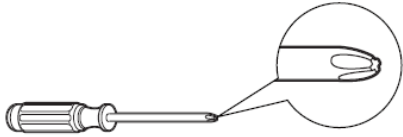
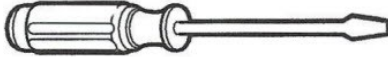
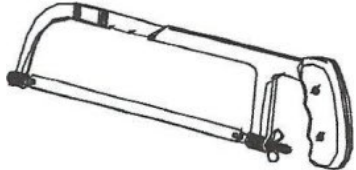
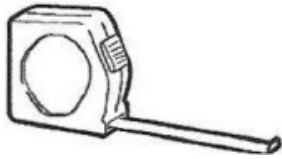


Exhaust Kit (Come out with the Unit)

			
joint A	joint B	joint C	discharge pipe

Window Kit

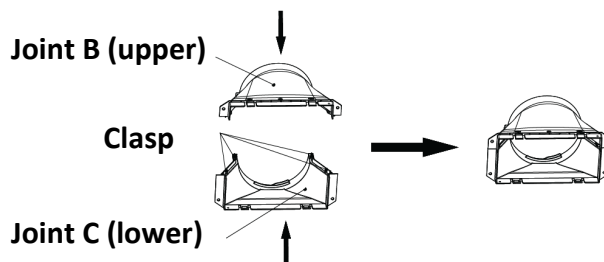
			
window Panel	insect guard net	rain guard (short)	rain guard (long)
			
rain shield	foam seal A	foam seal B (adhesive type)	bracket
			
screws	washer x 4	spring washer x 4	nut x 4

TOOLS NEEDED FOR INSTALLATION

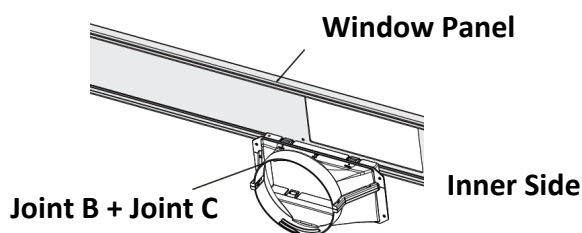
		
cross screwdriver	straight screwdriver	saw
		
measurement tape	scissors	pencil

Installation in a double-hung sash window (Optional)

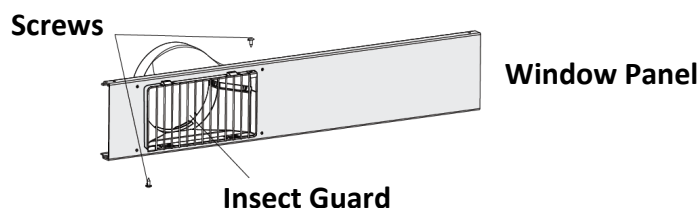
1. Connect the Joint B & Joint C.



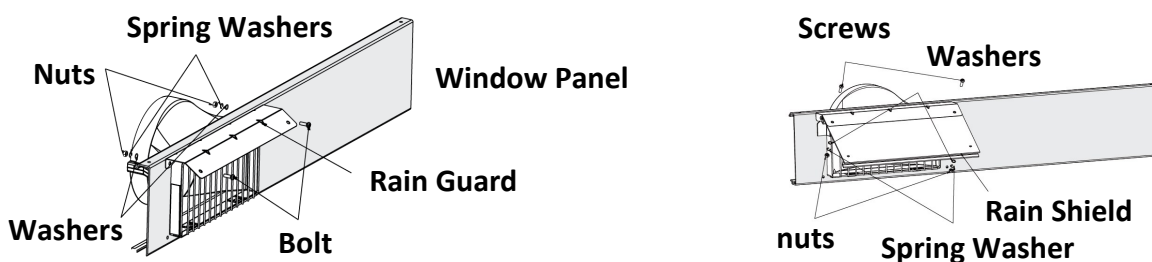
2. Clamp Joint B + Joint C into the inner side of the window panel.



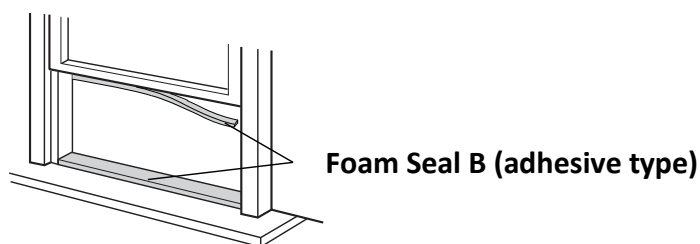
3. Secure the insect guard on Joint B & Joint C with screws.



4. Secure the rain guard and rain shield on the window panel with nuts, spring washers, washers and bolts.



5. Cut the Foam seal B (adhesive type) to the proper length and attach it to the window stool and to the bottom of sash.

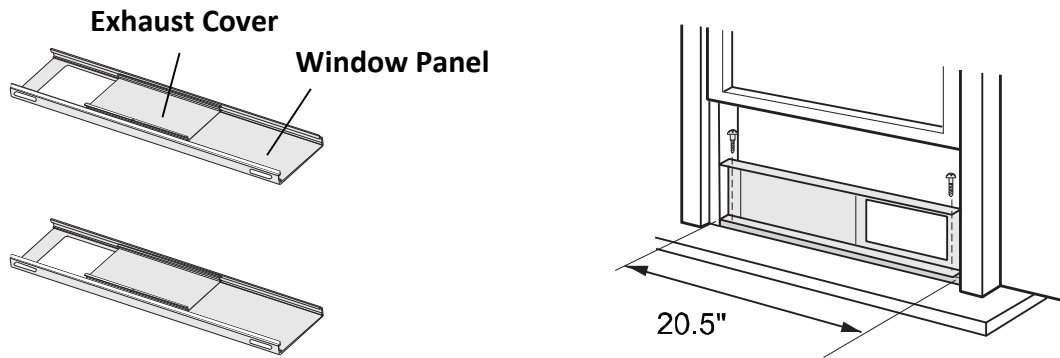


6. Attach the window panel to the window stool. Make sure that the exhaust cover is attached to the window panel. Inner width of the window: 20.5" (520mm) Use the window panel.

Installation in a double-hung sash window (cont.)

The window panel cannot be installed in windows less than 20.5" (520mm) wide, as you will be unable to shut the exhaust cover.

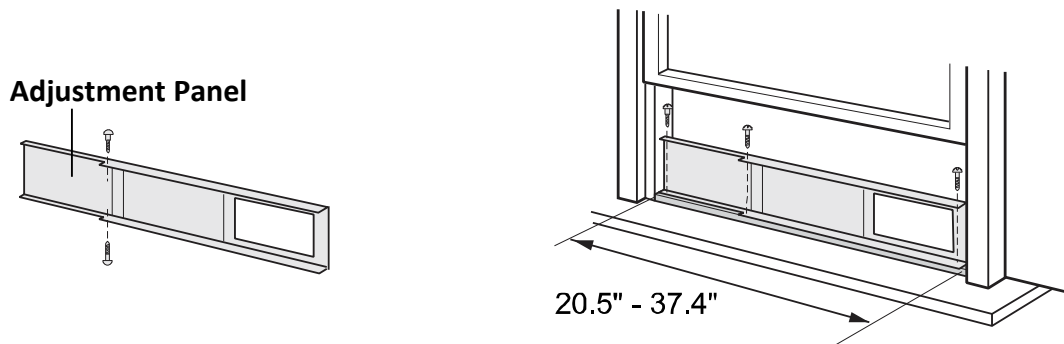
- 1) Open the window sash and place the window panel on the window sill.
- 2) Secure the window panel to the window stool with screws.



Inner width of the window: 20.5" (520mm) - 37.4" (950mm)

Use the window panel and the adjustment panel.

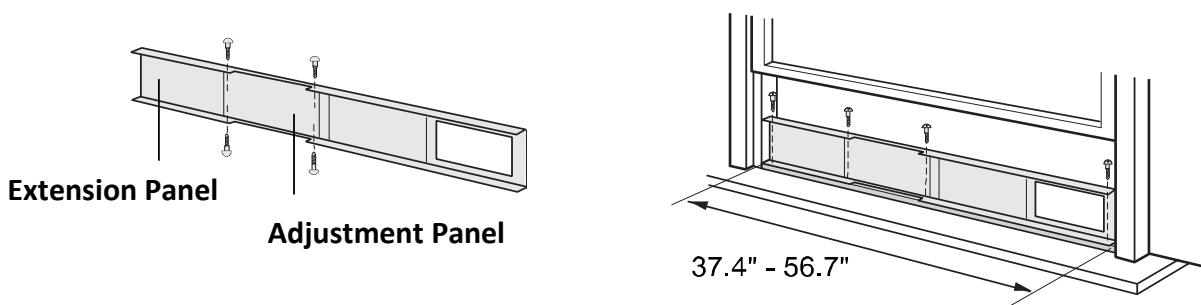
- 1) Open the window sash and place the window panel on the window sill.
- 2) Slide the adjustment panel to fit the window frame width.
- 3) Secure the window panel to the sill with screws.



Inner width of the window: 37.4" (950mm) - 56.7" (1440mm)

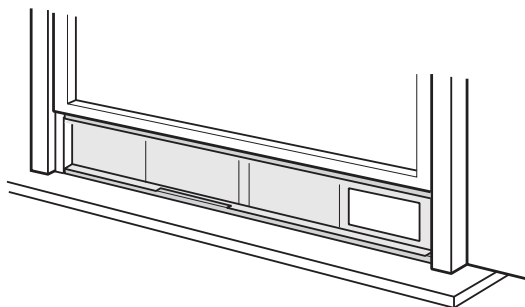
Use the window panel, the adjustment panel and the extension panel.

- 1) Open the window sash and place the window panel on the window sill.
- 2) Slide the adjustment and extension panels to fit the window frame width.
- 3) Secure the window panel to the window sill with screws

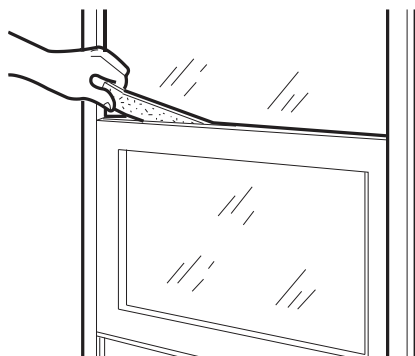


Installation in a double-hung sash window (cont.)

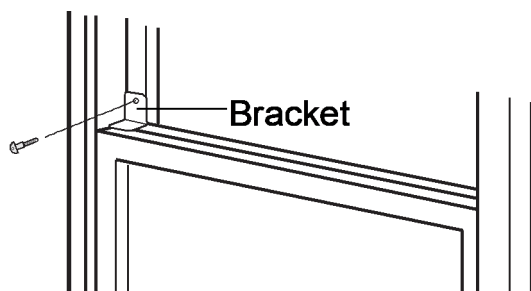
5. Close the window sash securely against the Window panel.



6. Stuff the Foam seal A between the glass and the window to prevent air and insects from getting into the room.



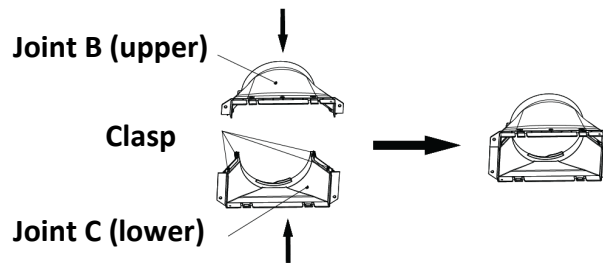
7. Attach the bracket with a screw. (Recommended)



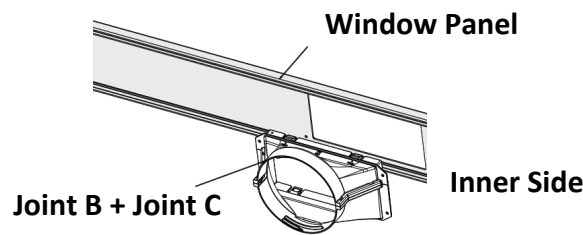
Please lay a tabular material underneath the window panel in case you could not attach the rain guard or the window adapter properly due to the deep window sill.

Installation in a sliding sash window (Optional)

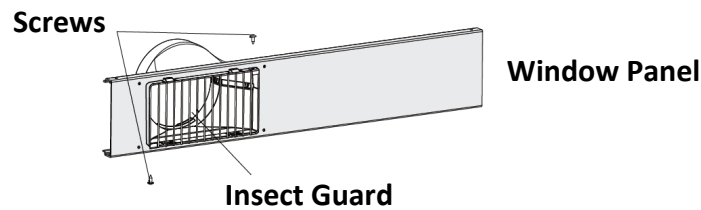
1. Connect the Joint B & Joint C.



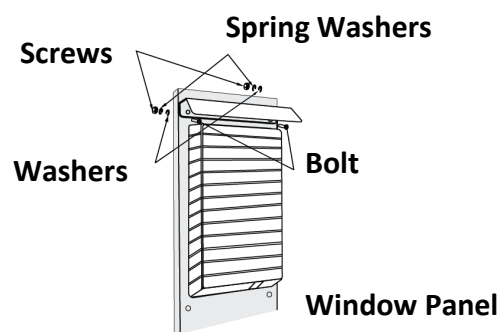
2. Clamp Joint B + Joint C into the inner side of the window panel.



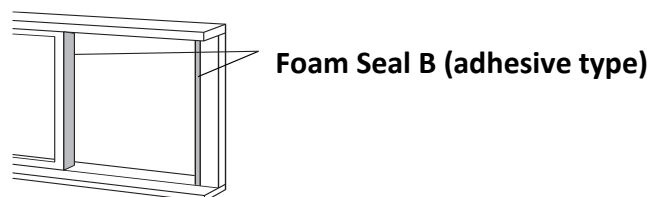
3. Secure the insect guard on Joint B & Joint C with screws.



4. Secure the rain guard on the window panel with nuts, spring washers, washers and bolts.



5. Cut the Foam seal B (adhesive type) to the proper length and attach it to the window frame and to the side of sash.



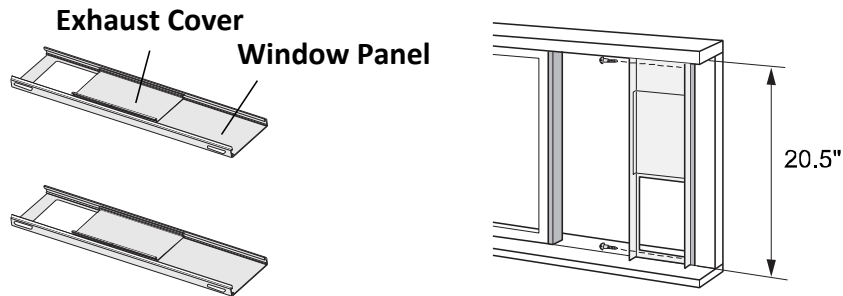
6. Install the window panel into the window frame.

Make sure that the exhaust cover is attached to the window panel. Inner height of the window: 20.5" (520mm). Use the window panel

Installation in a sliding sash window (Cont.)

The window panel cannot be installed in windows less than 20.5" (520mm) high, as you will be unable to shut the exhaust cover.

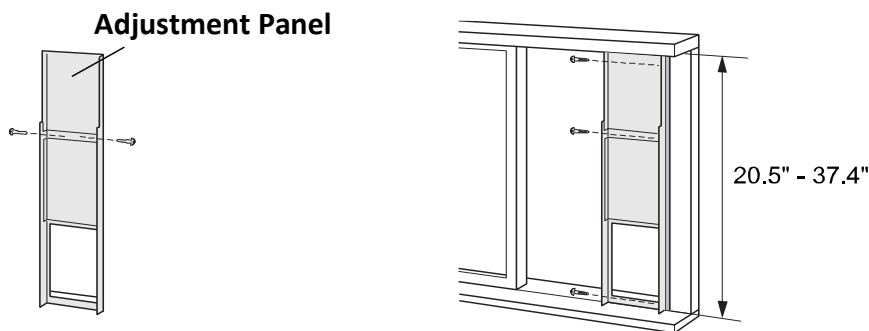
1. Open the window sash and place the window panel on the window frame.
2. Secure the window panel to the window frame with screws



Inner height of the window: 20.5" (520mm) - 37.4" (950mm)

Use the window panel and the adjustment panel.

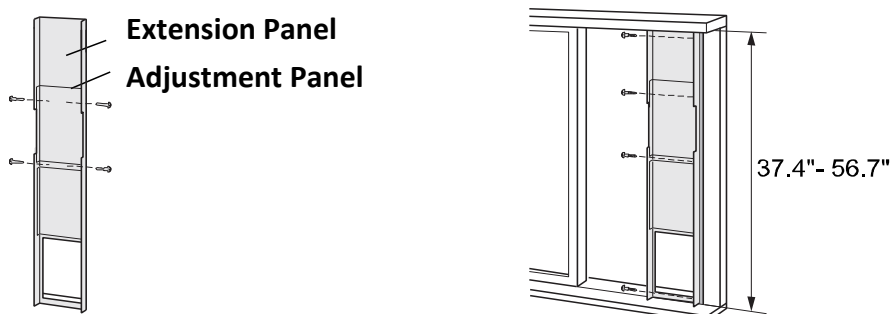
1. Open the window sash and place the window panel on the window frame
2. Slide the adjustment panel to fit the window frame height.
3. Secure the window panel to the window frame with screws.



Inner height of the window: 37.4" (950mm) - 56.7" (1440mm)

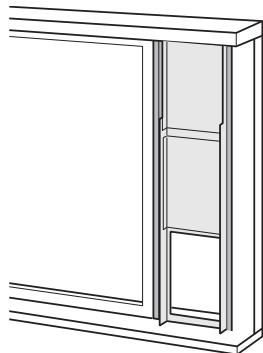
Use the window panel, the adjustment panel and the extension panel.

1. Open the window sash and place the window panel on the window frame.
2. Slide the adjustment and extension panels to fit the window frame height.
3. Secure the window panel to the window frame with screws.

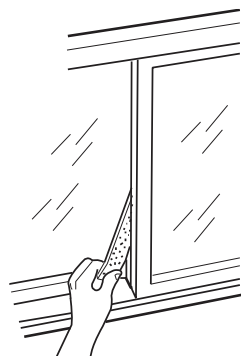


Installation in a sliding sash window (Cont.)

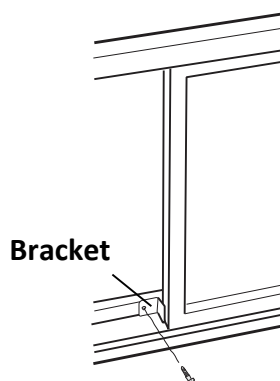
4. Close the window sash securely against the Window panel.



5. Stuff the Foam seal A between the glass and the window to prevent air and insects from getting into the room.



6. Attach the bracket with a screw. (Recommended)



Please lay a tabular material underneath the window panel in case you could not attach the rain guard or the window adapter properly due to the deep window sill.