

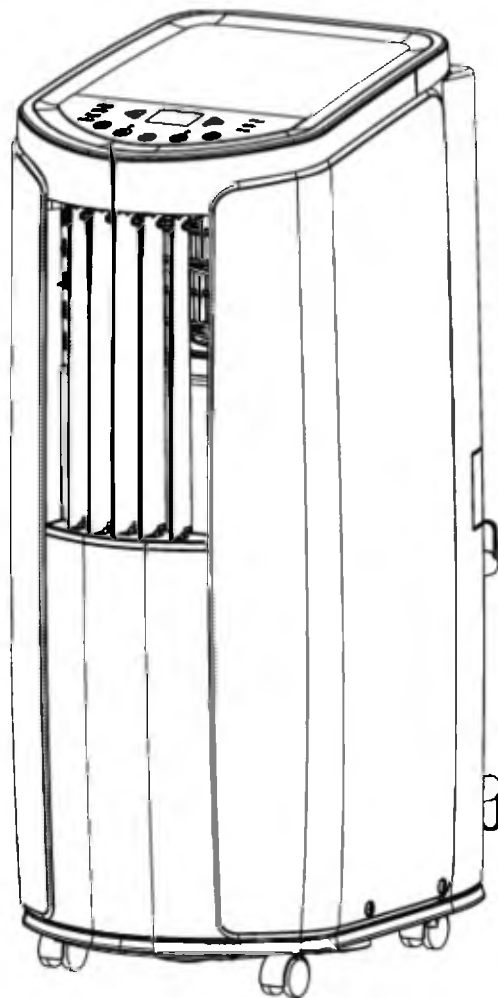


ARTICA MK2

8000Btu

Portable Air Conditioner

WIFI Enabled



Congratulations!

You have purchased the very latest in room air conditioning technology. Your new EcoAir high efficiency room appliance will give you many years of dependable service. Many features have been built into your EcoAir portable appliance to assure quiet operation, the best circulation of cool and dry air, functional controls and the most economical operation.

Index.....	1
BS Plug Wiring	2
Important Safety Instructions.....	3
Introduction	4
Installation.....	5 - 11
Quick Set Up.....	12- 16
Cleaning & Maintenance.....	17 - 18
Troubleshooting	18 - 20
Specifications	21
Guarantee Card	22

When using this appliance in European countries, the following information must be observed:

Do not dispose of this product as unsorted waste.

It is prohibited to dispose of this appliance as domestic household waste. For disposal:

- Contact your local council
- The manufacturer will take back the old appliance for disposal when you replace it with a new product.
- Old products contain valuable resources, which should be recycled as scrap metal.



Wild disposal of waste in forests and landscapes endangers your health when hazardous substances leak into the ground-water and find their way into the food chain.

BS PLUG WIRING

BS PLUG WIRING

Wiring Instructions: Should it be necessary to change the plug, please note the wires in the mains lead are coloured in accordance with the following codes:

BLUE - NEUTRAL
BROWN – LIVE
GREEN AND YELLOW - EARTH

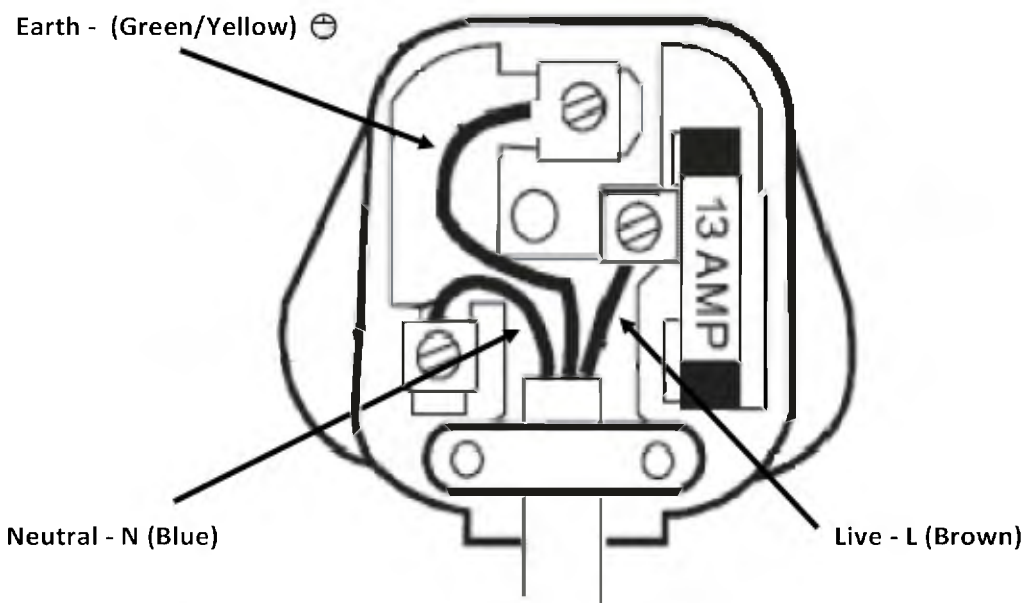
In the event that the colours of the wires in the mains lead of this appliance do not correspond with the coloured markings identifying the terminals in your plug, proceed as follows:

1. The **BLUE** wire is **NEUTRAL** and must be connected to the terminal which is marked with the letter **N** or coloured **BLACK**.
2. The **BROWN** wire is **LIVE** and must be connected to the terminal which is marked with the letter **L** or coloured **RED**.
3. The **GREEN/YELLOW** is **EARTH** and must be connected to the terminal which is marked with the letter **E** or \oplus or coloured **GREEN** or **GREEN/YELLOW**.
4. Always ensure that the cord grip is positioned and fastened correctly.

If a **13A (BS 1363)** fused plug is used it must be fitted with a **13A** -fuse. If in doubt consult a qualified electrician.

Wiring for a 13 Amp Plug (BS1363)

Please note. The Earth Terminal is marked with the letter **E** or \oplus Earth Symbol.



IMPORTANT SAFETY INSTRUCTIONS

PLEASE READ ALL INSTRUCTIONS CAREFULLY BEFORE OPERATING.

WARNING!

This air conditioner is intended for use in domestic households and similar working and residential environments and is not intended for outdoor use. It must be used only as a domestic appliance. EcoAir cannot be held liable for damage resulting from incorrect or improper use or operation

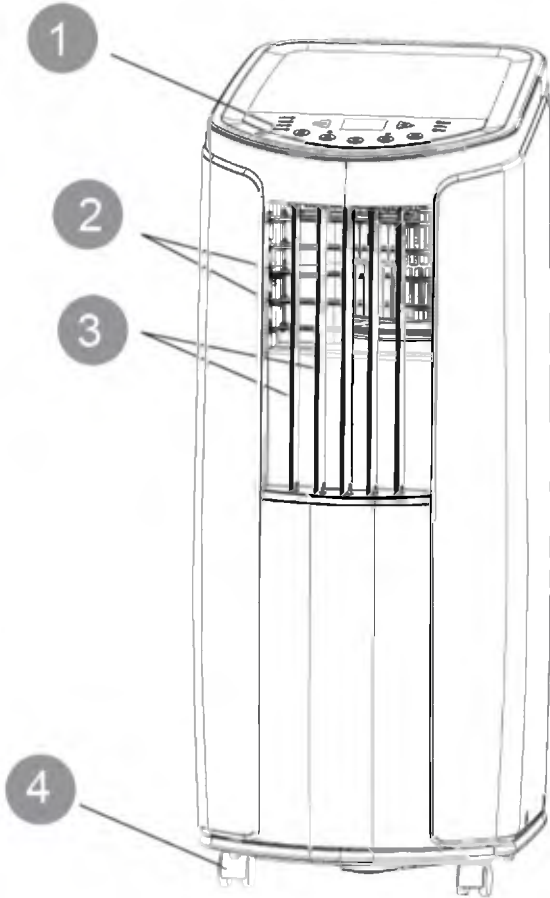
When using electrical appliances, basic safety precautions should always be followed:

1. Do not operate the appliance if there is a damaged cord , plug or after it malfunctions if it has been dropped or damaged in any way. Arrange for the appliance to be examined or repaired by an authorised technician.
2. Always keep the appliance in an upright position to avoid any damage. Place the appliance on an even level surface during operation.
3. Ensure the household voltage matches the rated specification for the appliance before use.
4. Operate this appliance in an ambient temperature between 16°C and 35°C.
5. Ensure that the air inlets and outlets are not blocked or covered. Do not insert fingers or any objects into the air inlet or outlet openings.
6. Do not place the unit too close to curtains or any other objects, keep minimum distance of 50cm.
7. Never place anything on top of the appliance and do not cover while in use.
8. To protect against electric shocks, do not immerse or spray the appliance or any of its parts in water.
9. Never unplug the power cord without switching OFF the appliance first.
10. Always unplug the appliance when not in use or when moving location. To disconnect the appliance from the power supply, grip the plug and pull from the power socket. Never pull by the cord.
11. Always empty the internal water tank before storing the appliance away.
12. Close supervision is necessary when the appliance is used in the presence of children and pets.
13. Do not run power cord under carpeting, or cover with rugs or runners. Arrange the cord away from areas where it may become a trip hazard.
14. Never operate or store the appliance in direct sunlight.
15. Repairs must be carried out by an authorised technician, failure to do so may cause damage to the appliance or injury to persons or property and will void the warranty. Always insist on original spare parts.
16. Do not connect via an extension lead or Multi-socket plug. Extension leads and Multi-socket plugs do not guarantee the required safety of the appliance (e.g. danger of overheating).
17. Do not use the appliance without the air filter. Clean or replace the air filter regularly.
18. Do not leave the appliance unattended in continuous drainage over a long period of time.
19. At the end of its working life dispose of the appliance responsibly, in accordance with local regulations.
20. Before cleaning or maintaining the appliance, please turn off the power and pull out the power plug.
21. Do not insert or pull out the power plug with wet hands.
22. Do not insert any objects into the appliance.
23. Do not splash or pour water onto appliance. Otherwise, it may cause short circuit or damage to it.
24. Do not operate heating equipment around the appliance.
25. Keep a safe distance from fire source, inflammable and explosive objects.
26. Keep children from playing or climbing with or on the appliance.
27. Do not put clothes above the appliance to dry.
28. Do not use in server room.
29. Never open the unit casing yourself and attempt to repair. This will void the warranty and is a potential health and safety risk.

This appliance is not intended for use by persons (including children) with reduced physical, sensory or mental capabilities, unless they have been given supervision or instruction concerning use of the appliance by a person responsible for their safety. Children should be supervised to ensure that they do not play with the appliance.

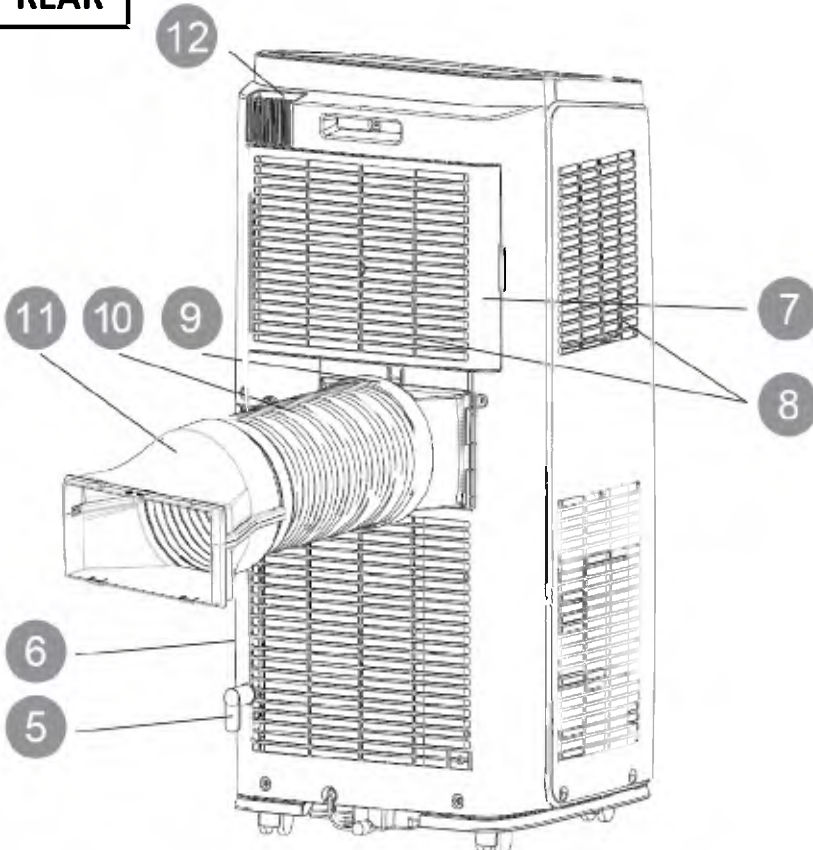
READ & SAVE THESE IMPORTANT SAFETY INSTRUCTIONS FOR FUTURE REFERENCE

FRONT



1. Control panel
2. Guide louvre (manual)
3. Swing louvre (manual)
4. Castor
5. Power cord hanger
6. Plug of power cord
7. Filter
8. Air Inlet
9. Joint A
10. Discharge pipe
11. Joint B+C (see page 9, step 2)
12. Remote Control holder

REAR






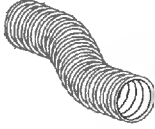
Remote Control

INSTALLATION


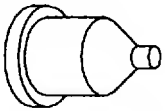
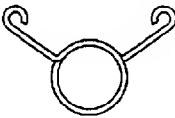



Note: check if the accessories are available before installation.

PACKAGE CONTAINS

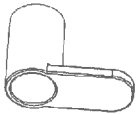

Exhaust Kit

			
joint A	joint B	joint C	discharge pipe

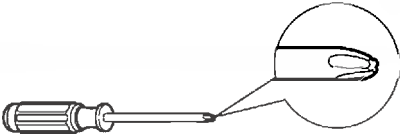
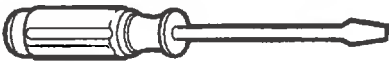
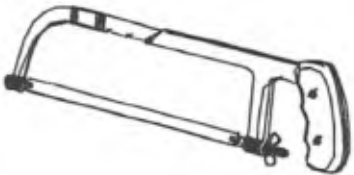
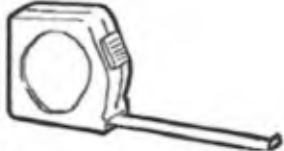


Drainage Kit

					
pipe clamp	rubber plug	pipe clip	bottom drainage pipe	drainage connector	screw included

Others

	
power lead hook (2)	remote control

TOOLS NEEDED FOR INSTALLATION

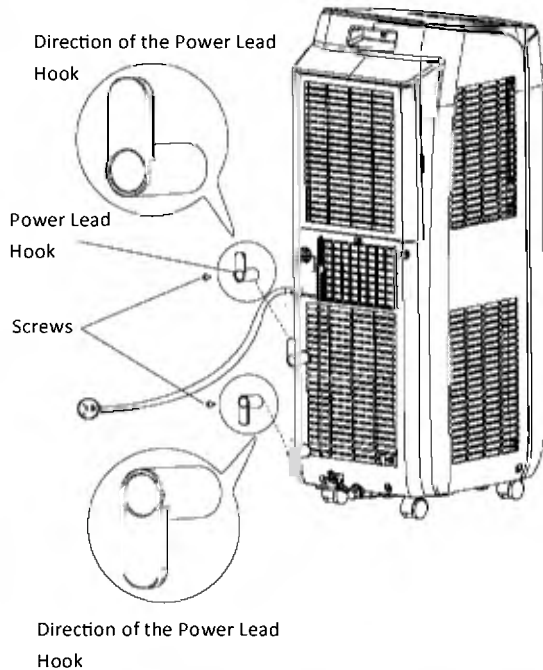
		
cross screwdriver	straight screwdriver	saw
		
measurement tape	scissors	pencil

INSTALLATION

INSTALLATION OF POWER LEAD HOOK

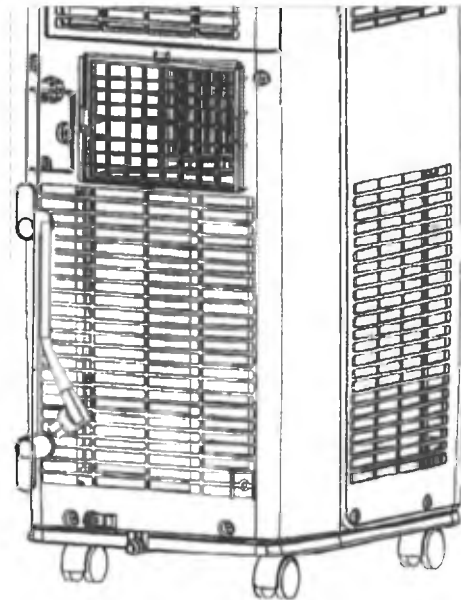
STEP 1. ASSEMBLE THE POWER LEAD HOOK AT THE BACK OF THE APPLIANCE

Use screws to fix the power lead hook at the back of the appliance as shown below.



STEP 2. WIND THE POWER LEAD AROUND THE HOOK

When you are not using the appliance wind the power lead around the hook as shown below.

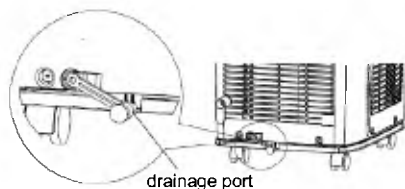


INSTALLATION OF DRAINAGE

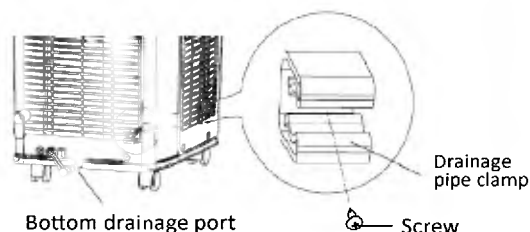
BOTTOM DRAINAGE PORT FOR USE BEFORE STORAGE & WHEN FULL TANK LIGHT IS ON

* Before Storage we recommend you drain the internal storage tanks using this drainage port.

STEP 1. Remove the rubber plug from the bottom drainage port.



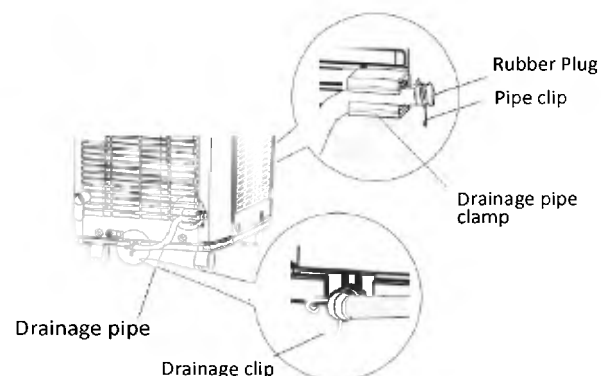
STEP 2. Attach the drain hose pipe clamp to the back panel of the appliance near the bottom drainage port with the screw provided.



STEP 3. Attach one end of the drainage pipe to the drainage port with the pipe clip.

Make sure the hose is fully inserted into the drainage port.

Put the rubber plug into the other side of drainage pipe, fix it with pipe clip and then fix it into the drainage pipe clamp.



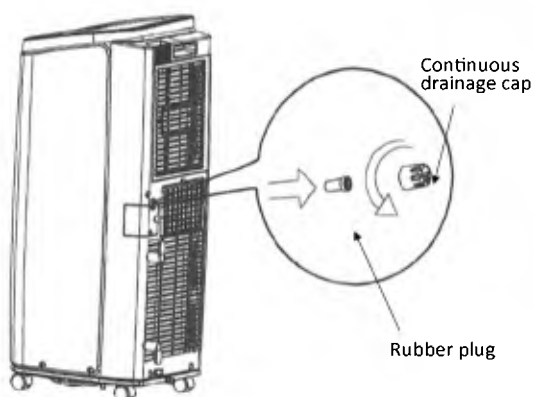
INSTALLATION OF CONTINUOUS DRAINAGE

CONTINUOUS DRAINAGE FROM MIDDLE DRAINAGE PORT

Water can be automatically emptied from the middle drainage port with a 14mm inner diameter hose (Not included in the package) which can be ordered from our website:

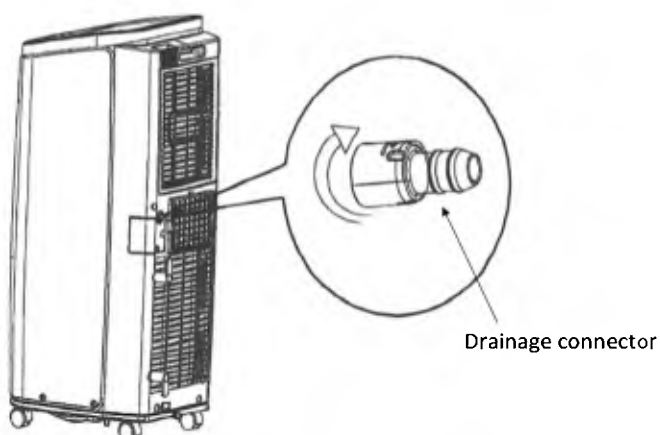
www.ecoair.org

STEP 1. Remove the continuous drainage cap by turning it counter clockwise then remove the rubber plug from the middle drainage port.



* Store both the cap and plus safely for use when not in continuous drainage mode

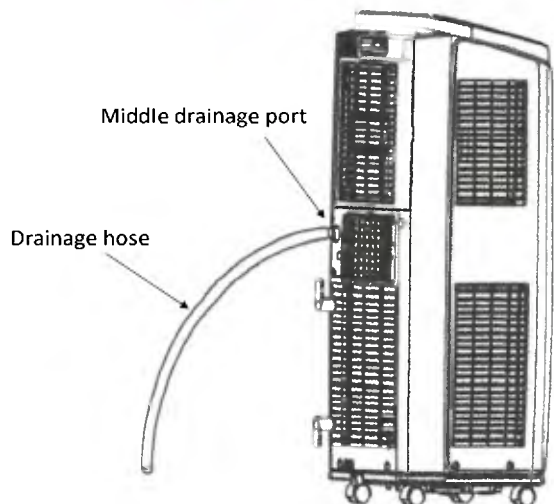
STEP 2. Screw the drain connector to the drainage port by turning clockwise.



STEP 3. Insert the drainage hose (14mm) into the drainage connector.

Make sure the drainage hose goes downward from the middle drainage port.

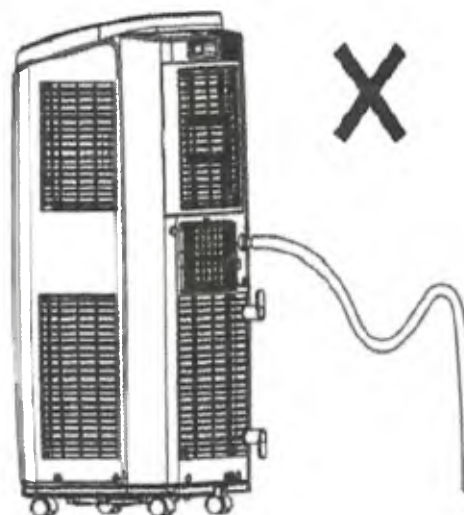
The end of the drainage hose should not be outside when temperature is below 1°C.



NOTE: When using continuous drainage option;

- ◆ Place the appliance on a level surface
- ◆ Make sure the continuous drainage hose is clear of any obstructions.
- ◆ The drainage hose should be placed downwards from the drainage ports.
- ◆ Do not bend or kink the drainage hose.

IF ABOVE NOT FOLLOWED, APPLIANCE CAN LEAK WATER!



INSTALLATION

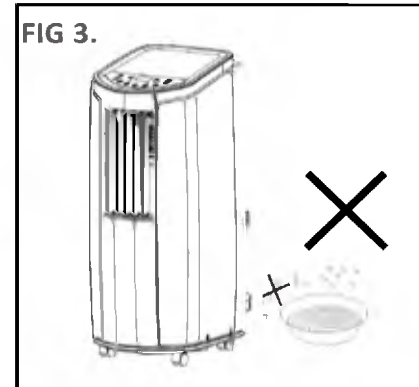
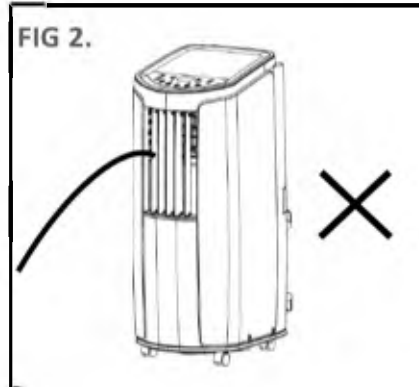
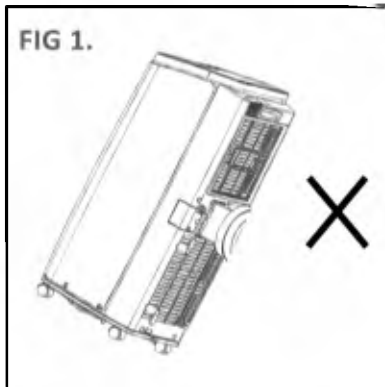
WARNING

- ◆ Two or more people are required to move and install the appliance.
- ◆ Failure to do so may result in back or other injuries.

Do not pull the appliance along by the power cord. See Fig 1.

Do not place objects on the appliance or restrict air inlet / outlet. See Fig 2.

Do not use the appliance in humid or wet environment. See Fig 3.

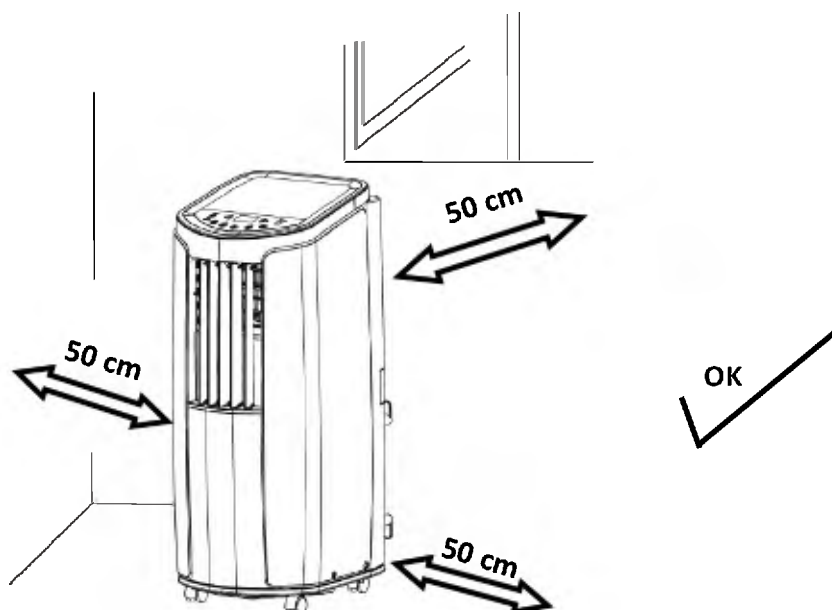


INSTALLATION REQUIREMENTS:

- ◆ The appliance shall be installed in accordance with national wiring regulations.
- ◆ The appliance is for indoor use only, but should not be installed in a high humidity area (i.e. laundry room or wet room).
- ◆ Place the appliance on a smooth level floor that is strong enough to support the unit.
- ◆ Allow at least 50cm of air space on all sides of the appliance for good ventilation.
- ◆ Place the appliance in an area where the temperature will not fall below 16°C. Otherwise the coils will be covered with frost at temperatures below 16°C and this may reduce performance.

Note:

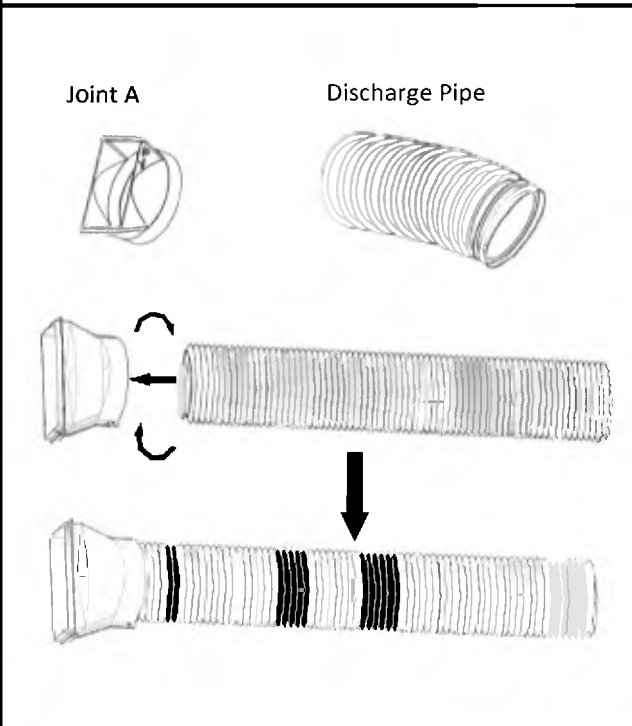
The appliance has castors for easy movement.



INSTALLATION OF DISCHARGE PIPE

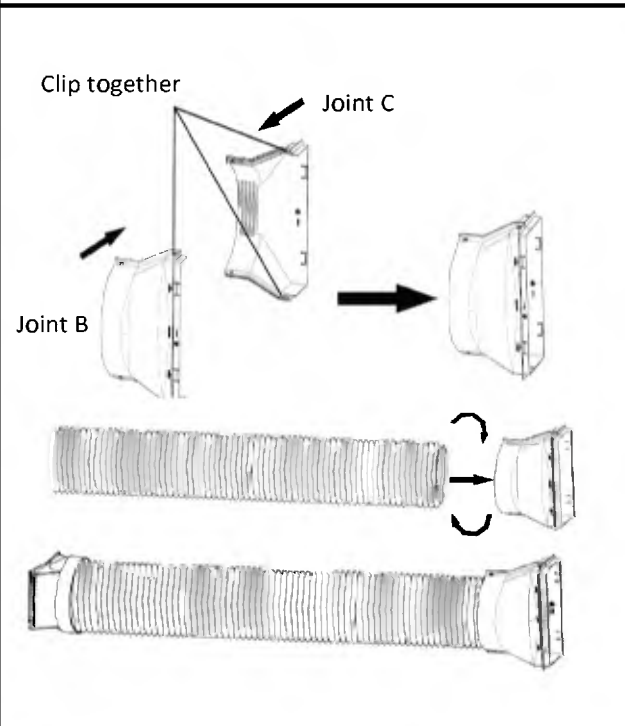
STEP 1. CONNECT JOINT "A" TO DISCHARGE PIPE

Attach Joint A to discharge pipe



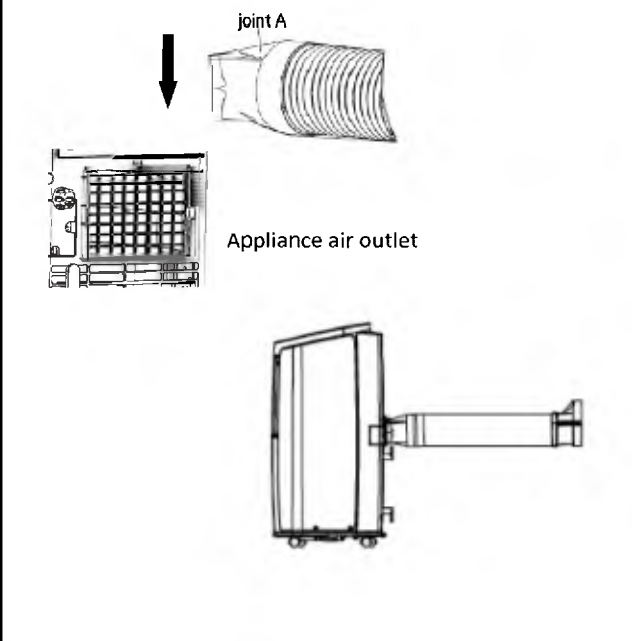
STEP 2. CONNECT JOINT "B" & "C" TO DISCHARGE PIPE

Connect together Joint B to Joint C



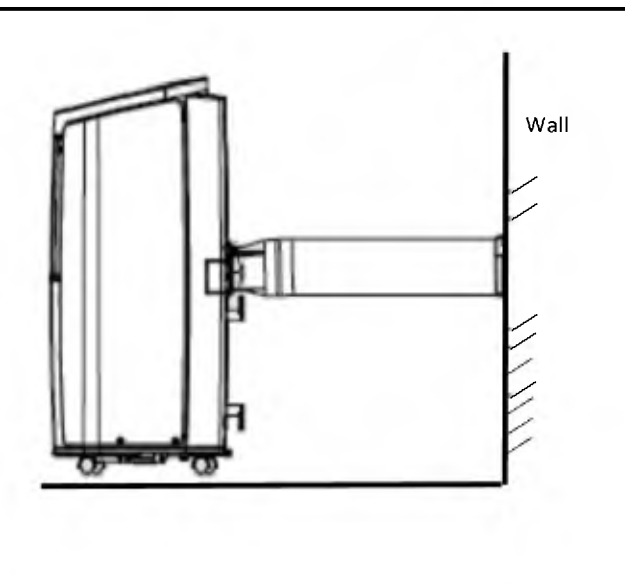
STEP 3. CONNECT DISCHARGE PIPE TO APPLIANCE

Slide down Joint A to the air outlet



STEP 4. DISCHARGE PIPE THROUGH THE WALL

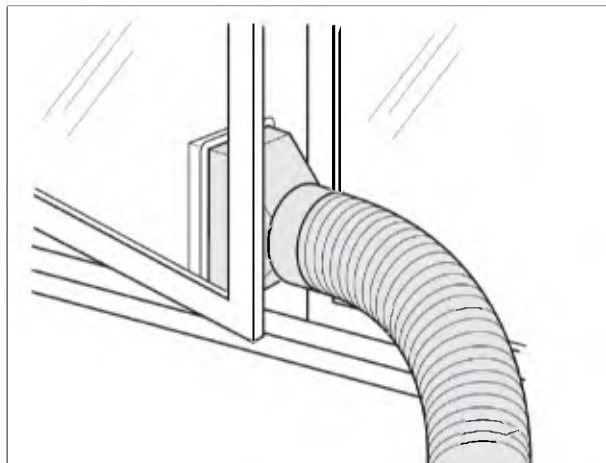
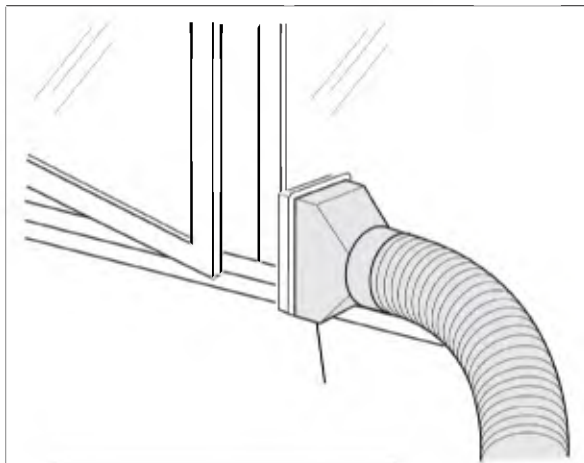
1. Put a 150mm whole through the wall. (outer diameter 142mm)
2. Insert the discharge pipe through the hole.
3. Seal the gap between the wall and the discharge pipe.



INSTALLATION OF DISCHARGE PIPE

STEP 5. DISCHARGE PIPE THROUGH A WINDOW GAP

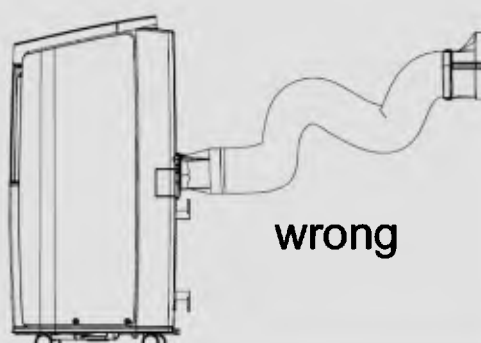
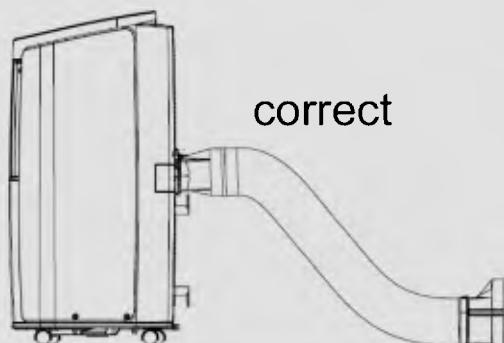
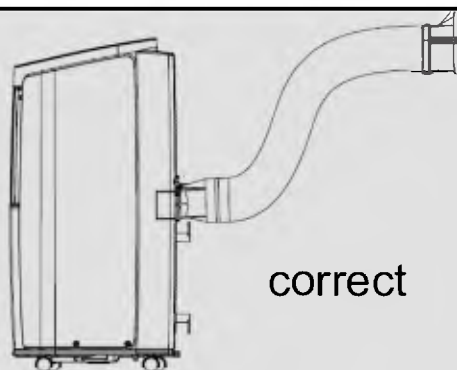
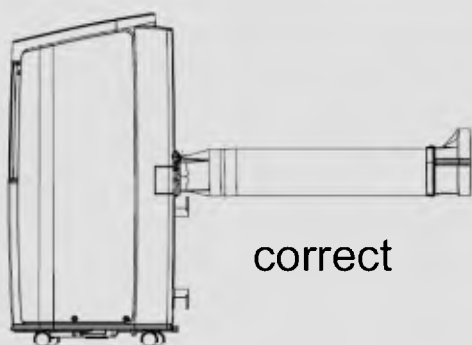
1. Open the window and place the discharge pipe between the window frame and the window.
2. Seal the gap with a foam (not supplied) to prevent the hot air coming back into the room.



STEP 5. DISCHARGE PIPE CONNECTION

In order to improve cooling efficiency, make sure the discharge pipe is as short and straight as possible.

Do not joint any other discharge pipe to the original pipe.

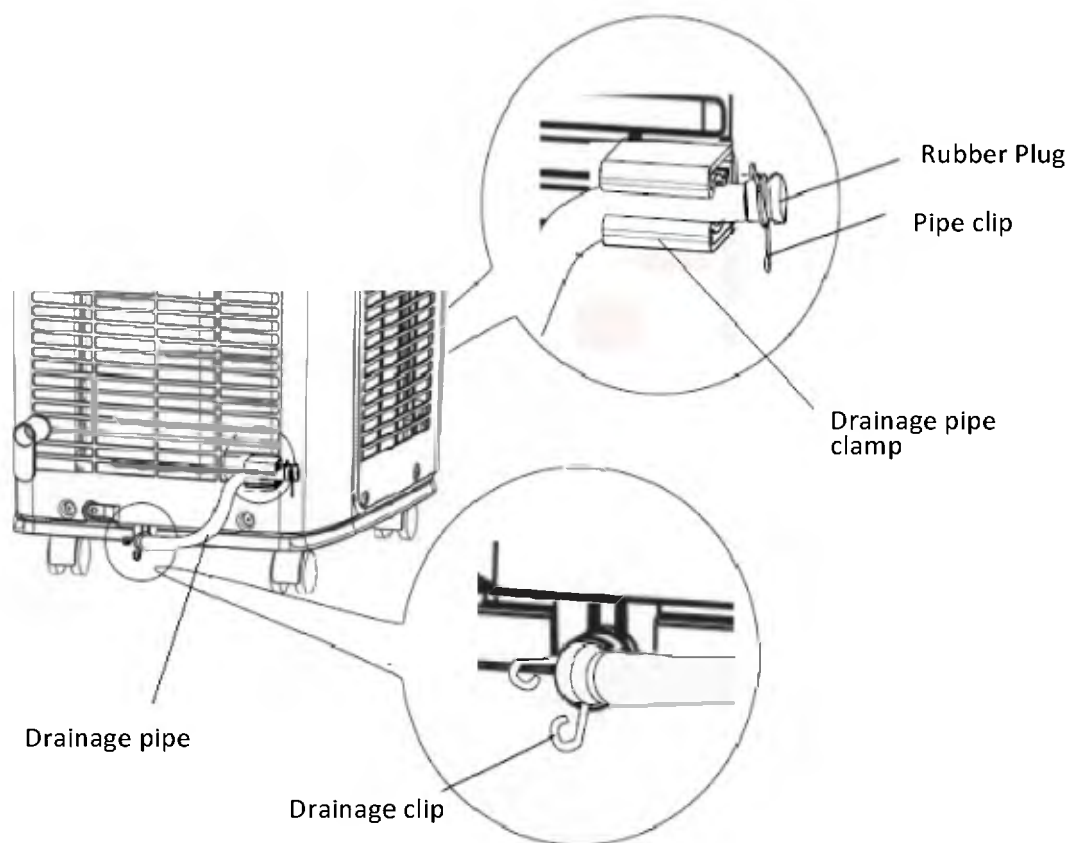


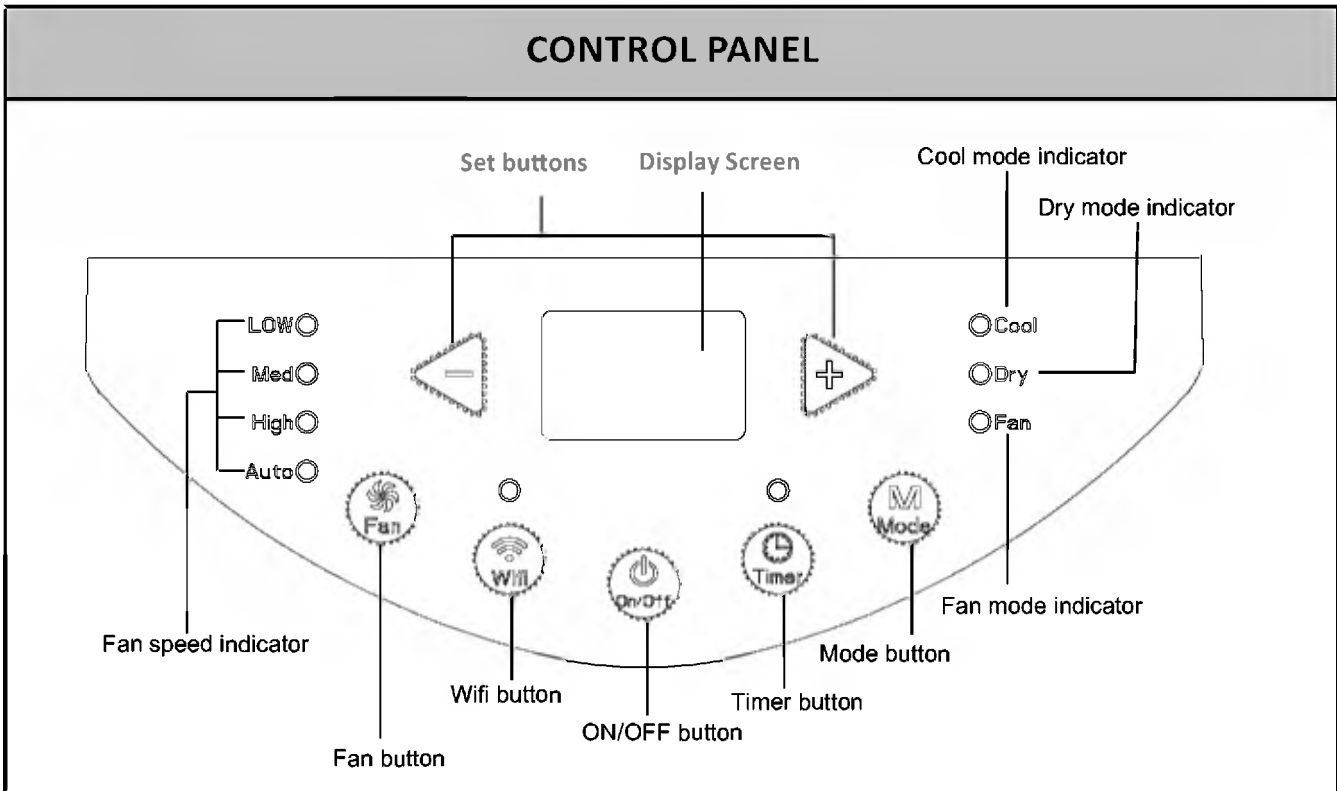
DRAIN WATER FROM APPLIANCE

DRAIN WATER FROM BOTTOM DRAINAGE PORT

During cooling mode, the appliance requires water drainage from the bottom drainage port. This will be indicated as an "H8" error. (see troubleshooting on page 18)

1. Remove the drainage pipe from the drainage pipe clamp and release the excess water by removing the rubber plug.
2. Drain the water out completely and the appliance should resume operation. Secure the plug and hose back into position.
3. Drain water completely before storage to avoid internal odours and mould.






- ◆ After switching **ON**, the appliance will respond with a beep sound. After that, you can operate the appliance with the control panel or remote control.
- ◆ Under **ON** status, when pressing any button on control panel, the appliance will give out a sound. Meanwhile, corresponding indicator light on control panel will be on.
- ◆ Under **OFF** status, there is no display on the control panel.
- ◆ Under **ON** status, the set temperature will show on the display control panel only in cooling mode.
- ◆ For any other modes, the display will not show the temperature.

ON / OFF BUTTON

Press the ON/OFF button to switch on and off.

MODE BUTTON

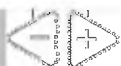
Press this button to select : 

COOL: When cooling Mode indicator is on, the appliance will operate in cooling mode. Display shows the set temperature.

DRY: When drying Mode indicator is on, the display shows nothing. Appliance will operate at low speed only.

FAN: When fan mode indicator is on, the display shows nothing. The appliance only blows air in the ambient temperature as a fan does.

SET BUTTONS



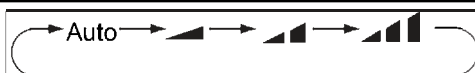
Under cooling mode, press "+" or "-" button to increase or decrease set temperature by 1 °C.

Set temperature range is between 16°C - 30°C. Under auto, drying or fan mode, this button is invalid.

FAN BUTTON



Press this button to select:




- ◆ Low
- ◆ Medium
- ◆ High
- ◆ Auto

These fan speeds can be selected in cooling and fan modes only.

TIMER BUTTON



- ◆ Press this button to set timer. To adjust timer, press set buttons. 
- ◆ Timer can be set for up to 24 hours.
- ◆ Wait 5 seconds after setting the time, for the display to show the set temperature.
- ◆ During the timer setting, make sure there is no more than 5 seconds delay between sets, otherwise the remote control will cancel setting status.
- ◆ To cancel set timer, press timer button twice.

Note: Select the mode before you select the timer.

The timer can be set for:

1. While the appliance is ON, the timer can be set to switch off after your set time.
2. While the appliance is OFF, the timer can be set to switch on after your set time.

WIFI BUTTON



Press " WiFi " button to the WiFi function on or off. When the WiFi function is turned on, the " WiFi " icon will be displayed on remote controller;

- This function is only available for some models.
- In order to connect a handheld smartphone, tablet or laptop please visit ecoair.org for further instructions.

QUICK SET UP

REMOTE CONTROL

1. ON / OFF button
2. SET UP button
3. MODE button
4. SWING button (Not Applicable on this unit)
5. SET DOWN button
6. FAN button
7. TIMER OFF button
8. CLOCK button
9. TIMER ON button
10. SLEEP button
11. TEMP button
12. TURBO button (Run on high fan)
13. X-FAN button
14. WIFI button
15. Health button (Not Applicable on this unit)

USEFUL INFORMATIONS

- ◆ During the operation, point the remote control towards the appliance not more than 6 meters away.
- ◆ Make sure there is no obstacles between the remote control and the appliance.
- ◆ Remote control signal may be interfered within the room where there is wireless telephone, fluorescent lamp.
- ◆ When appliance is not in use for a long time, please remove batteries.
- ◆ If there is no display on the remote control, please replace batteries.

REMOTE CONTROL DISPLAY SCREEN

I feel

8°C heating function

Operation mode

- Auto mode
- Cool mode
- Dry mode
- Fan mode
- Heat mode

Clock

Sleep mode

Light

Temp. display type

- Set temp.
- Indoor ambient temp.
- Outdoor ambient temp.

Set fan speed

Send signal

Turbo mode

health function

X-fan mode

Set temperature

This is a general remote controller. Some models have this function while some do not. Please refer to the actual models.

Set time

TIMER ON / TIMER OFF

Child lock

Up & down swing

Sleep

Under Cool or Heat mode, press this button to turn on the Sleep function. In Sleep Mode the pre-set temperature will increase by 2 degrees (Cool Mode) or decrease by 2 degrees (Heat Mode) after 2 hours from setting. Press this button again to cancel the Sleep function.


* Under Fan Dry and Auto modes, this function is unavailable.

Turbo


Note : Run on high fan

Press this button to activate / deactivate the Turbo function which enables the unit to reach the pre-set temperature in the shortest time. In COOL mode, the unit will blow strong cooling air at super high fan speed. In HEAT mode, the unit will blow strong heating air at super high fan speed.

Clock

This function is to set the present time, but not the clock timer. Press CLOCK button, then this icon  will start blinking. Press the ▲ or ▼ button to adjust the present time. You can adjust the clock time by 10 minute after holding down either ▲ or ▼ button over 10 seconds. To confirm the setting, press CLOCK button again.

Timer on

Press this button to initiate the auto-ON timer. To cancel the auto-timer program simply press this button again. After pressing this button,  disappears and "ON" blinks. 00:00 is displayed for ON time setting. Within 5 seconds, press the ▲ or ▼ button to adjust the time value. You can adjust the time up or down in minutes. Holding down either button rapidly changes the time adjustment rate from 1 minute to 10 minutes. Within seconds after setting, press TIMER ON button to confirm.

Timer off

Press this button to initiate the auto-off timer. To cancel the auto-timer program, simply press the button again.

X-FAN BUTTON



Press this button to switch ON and OFF the X-fan mode under cooling and dry modes. This mode air dries the inside of the appliance when it is switched off so that the fan will continue to operate at low speed for a few minutes before switching off.

When X-fan mode is OFF, the fan will stop immediately upon switching off.

Note: Regular use of X-fan mode reduces condensation within the appliance, which can cause mould and musty smell build-up.

AIR FLOW DIRECTIONS

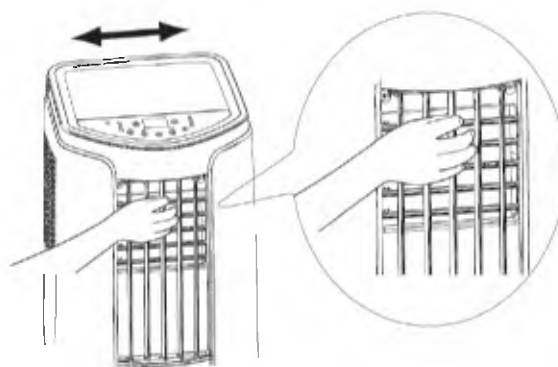
HORIZONTAL DIRECTION

Hold the horizontal louvres and move up or down for your comfort.




VERTICAL DIRECTION

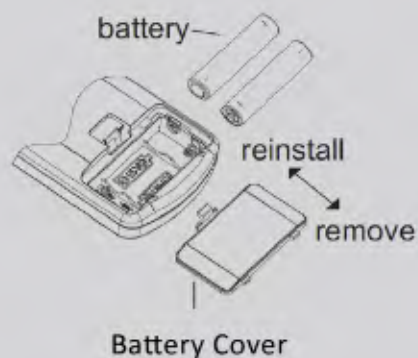
Hold the vertical louvres and move left or right.



NOTE: Do not close the air flow completely.

REPLACING BATTERIES

1. Gently pull clip back on the battery cover to remove. 
2. Replace two (AAA 1.5V) dry batteries and make sure the positions of plus and minus poles are correct.
3. Re-attach the cover of battery box.



NOTE:

- Before cleaning the appliance, turn it off and disconnect power. Otherwise, it may cause electric shock.
- Do not wash appliance with water. Otherwise, it may cause electric shock.
- Do not use volatile liquid (such as thinner or gas) to clean the appliance. Otherwise, it may damage the appearance of appliance.

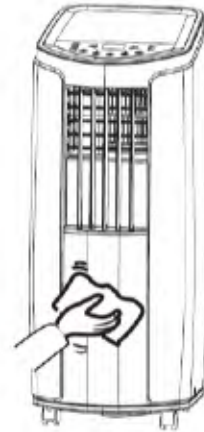
Clean outer case:

If there's dust on the surface of outer case, use soft towel to wipe it.

If the outer case is very dirty, use a damp cloth to clean it.

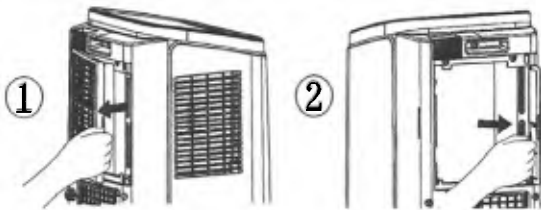
Clean grille:

Use soft brush or cloth to clean it.



CLEAN FILTER

1. REMOVE THE FILTER

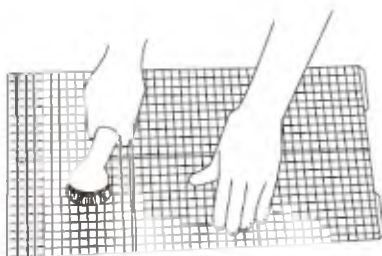


3. INSTALL FILTER

Before re-installing the filter, make sure the filter is dry.

2. CLEAN FILTER

Use vacuum cleaner, brush or water to clean the filter.



3. USEFUL INFORMATION

The filter should be cleaned at least once every two weeks. For dusty environment, you should increase the cleaning frequency.

STORAGE OF THE APPLIANCE

Please follow the following steps for optimum performance:

1. Disconnect power supply and wrap the power cord.
2. Clean filter and outer case.
4. Drain the water from the appliance.
5. Make sure discharge pipe is disassembled.
6. Clean the appliance and pack it well to prevent dust.

TROUBLESHOOTING

CHECK THE FOLLOWING POINTS BEFORE CONTACTING TECHNICAL SUPPORT.

MALFUNCTION CODES

E5	Overcurrent protection.	Disconnect power, and then turn on the appliance again after 10 min.
H8	Internal water tank is full.	Drain the water from bottom drainage port.
F1	Malfunction of ambient temperature sensor.	Check the appliance is within the operating temperature.
F2	Malfunction of evaporator temperature sensor.	Check the appliance is within the operating temperature.
H3	Overload protection for compressor	<ul style="list-style-type: none"> ◆ Check the appliance is within operating temperature and not in high-humidity environment; if ambient temperature is more than 35°C, switch off the appliance and then switch on when the ambient temperature less than 35°C.
E8	Overload malfunction	<ul style="list-style-type: none"> ◆ Make sure the filters are clean.
F0	Temperature or humidity is very low	<ul style="list-style-type: none"> ◆ Increase the room temperature ◆ Switch off the appliance until the humidity rises again

PROBLEM	REASON	SOLUTION
The Appliance does not SWITCH ON	The power supply is not connected properly.	Check the power supply connection or try in a different power socket.
	The power plug is not inserted correctly.	Insert the power plug correctly.
	The power socket is faulty or fuse blown in the plug.	Change the fuse.
Poor Cooling	Filter might be dirty.	Clean the air filter.
	Set temperature might be incorrect	Check the set temperature. (should be below the ambient temperature)
	Windows and doors are opened.	Close the doors and windows.
	Discharge pipe longer than recommended.	<ul style="list-style-type: none"> ◆ Change it to the recommended length (max 1.5 meter) ◆ Keep the discharge pipe short and as straight as possible
Appliance cannot receive signal from controller Or Remote Control is not sensible	Remote control is outside of range.	Use the remote control within 6 meter range.
	Remote control signal blocked by obstacles.	Move away the obstacles.
	Appliance does not respond to the remote control.	Replace the batteries.

PROBLEM	REASON	SOLUTION
Fan is not working	Air outlet or Air inlet is blocked.	Remove the blockage from air outlet and air inlet.
	Appliance is defrosting.	It is normal. Wait until the appliance finish defrosting.
	Appliance is not switched ON.	Switch ON the appliance.
Set Temperature cannot be adjusted	The appliance is on wrong mode.	Change it to cooling mode. (Fan and Dry mode cannot adjust temperature)
	Set temperature has been reached.	This is normal.
	Outside the set temperature range.	Temperature range is between 16°C - 30°C.
Bad Smell from Appliance	There is lot of smoke in the room, recent painting or building works.	<ul style="list-style-type: none"> ◆ Do not to use the appliance in this environment. ◆ Clean the filters.
	Water left in the appliance for a long time.	Drain the water from the appliance regularly.
Appliance is noisy	Not on even surface.	Keep the appliance on an even surface.
	Discharge pipe longer then recommended size.	Keep within the range.
	Discharge pipe not installed correctly.	Check the discharge pipe and install correctly.
Water Flowing sound from the appliance	Refrigerant flowing inside the appliance.	This is normal.

In the unlikely event of a problem with your product, please refer in the first instance to:

ECOAIR TECHNICAL SUPPORT

www.ecoair.org/support

SPECIFICATIONS

MODEL	ARTICA MK2
Cooling capacity	8000 BTU/hr
Power/Ampere consumption for cooling	2350watts / 4A
Air volume (L/M/H)	260/290/320 m ³ /h
Humidity removal capacity	1L/hour
Power supply	220-240V~50Hz
Sound pressure Level (L/M/H)	47/49/51 dB(A)
Refrigerant	R410A (390g)
Fan speed	3
Timer	1~24 hours
Set range temperature	Cooling: 16°C ~ 30°C
Discharge pipe	∅ 142 mm
Net weight	24.5 Kg
Gross weight	28 Kg
Net Dimension (W x H x D)	315mm x 770mm x 395mm
Gross Dimension (W x H x D)	358mm x 881mm x 463mm

EcoAir guarantees this product to be free from defects in materials and workmanship for a period of One (1) year from the date of purchase. Coverage is valid only with proof of purchase.

Warranty Terms and Conditions

The conditions below apply to our warranty. They do not affect your statutory rights or the obligations of your retailer and your contract with them.

We provide warranty cover for this appliance subject to the following conditions:

1. We will rectify defects affecting the appliance which are clearly attributable to material and/or manufacturing faults, provided they are reported immediately after being identified within the Warranty Period supported by proof of purchase.
2. Service may not be available to all the islands around the UK. Please check with your retailer or contact our customer service department.
3. The warranty will not extend to consumables such as air filters.
4. Warranty liability will not be triggered by minor variances from nominal features which are of no significance to the appliance's value or fitness for purpose, nor damage caused by wear and tear, exceptional environmental conditions and inappropriate operating conditions.
5. No warranty liability will be accepted:-
 - a. If the defects stem from transport damage for which we are not responsible.
 - b. Improper installation and assembly or non-compliance with the safety regulations and warnings given in the operating instructions.
 - c. Improper use, to also include poor maintenance caused by insufficient aftercare or cleaning and failure to observe operating or assembly instructions or use with improper voltage recommendations.
 - d. Use in a non-domestic environment, to include air conditioner for rental.
6. No rights are given under this warranty to a person acquiring the appliance second hand.
7. We reserve the right to invalidate the warranty: -
 - a. If repairs or other interventions are performed by persons not authorised by us.
 - b. If our appliances are fitted with non-original spare parts, extras or accessories.
 - c. If our appliance has been altered and damaged by owner or third parties.
 - d. In the event of abuse (whether physical or verbal abuse) towards any member of staff.
8. Warranty provision will be free of charge and we will decide whether this will take the form of a repair or the replacement of the appliance. Small appliances that can be reasonably transported or posted may need to be handed over or shipped to our customer service centre. A purchase receipt must be presented in each case. Replaced parts pass into our ownership.
9. Under no circumstances shall the application of this warranty give rise to the complete replacement of the appliances. In the event of a replacement appliance being supplied at our discretion, we reserve the right to charge an appropriate monetary offset in respect of the period of use already enjoyed.
10. The provision of services under warranty neither extends the term of the warranty nor sets in motion a new Warranty Period. The Warranty Period for spare parts fitted ends with the expiry of the warranty on the appliance as a whole.
11. EcoAir shall not be liable for loss of goods, loss of use, or any special, indirect, consequential or pure economic loss, costs, damages, charges or expenses. This does not apply for death or personal injury resulting from negligence on the part of EcoAir, or for any damage incurred as a result of fraud or fraudulent misrepresentation by EcoAir.
12. Our Warranty service is on a return to base basis.
13. This unit is only for domestic use.
14. The Customer acknowledges and agrees that details of the Customer's name, address and payment method will be held and used by EcoAir to provide the services and to send to the Customer further information. EcoAir may disclose your information to third parties and agents in order to perform the services.

These warranty conditions apply to appliances purchased in the United Kingdom. If appliances shipped to other countries feature the appropriate technical conditions (e.g. voltage, frequency, gas-types etc.) for the climatic and environmental conditions in the country concerned, the terms of the warranty will apply, provided a local customer service network exists. Appliances purchased outside the United Kingdom are subject to the warranty conditions published by the appropriate local representative office of that country. These can be obtained via the specialist dealer from whom you bought appliance.



66129931223